

For all technical information and more detailed installation instructions please visit or call:

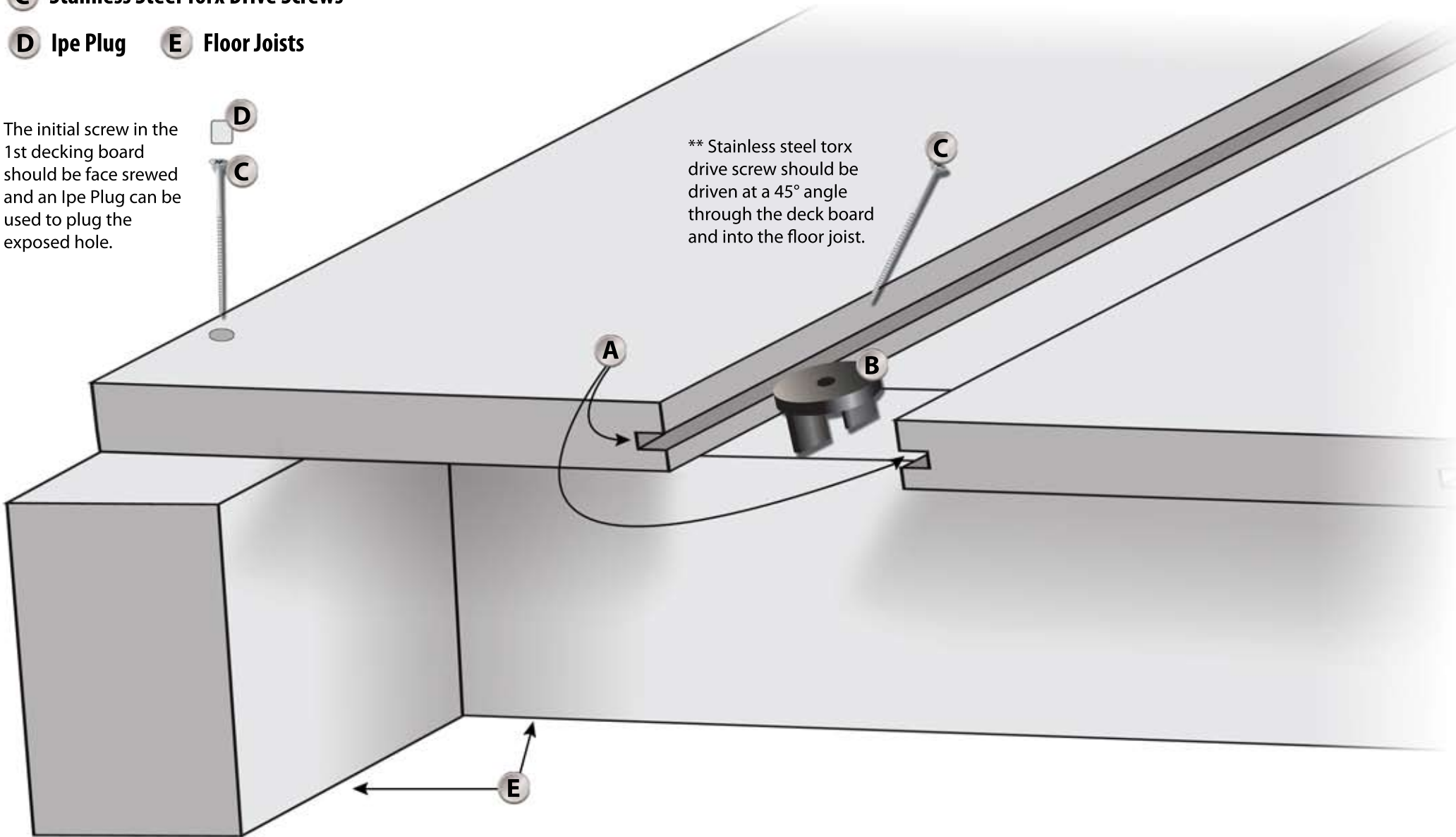
[www.IpeClip.com](http://www.IpeClip.com) | Tollfree:1-866-427-2547 | 864-902-8818



- A** Pregrooved Deck Boards\*
- B** Ipe Clip® Hidden Deck Fastener
- C** Stainless Steel Torx Drive Screws
- D** Ipe Plug
- E** Floor Joists

The initial screw in the 1st decking board should be face screwed and an Ipe Plug can be used to plug the exposed hole.

\*\* Stainless steel torx drive screw should be driven at a 45° angle through the deck board and into the floor joist.



\*Slots can be cut with a biscuit joiner in standard deck boards.

\*\* Screws should be driven at a 90° angle into the floor joist for composite material.